

Technical data sheet

Power supply · Compact Economy, 240 W

Primary switchmode power supply, PFC, Single-phase

Input: AC 90–132 V, AC 187–264 V, DC 270–345 V

Output: DC 24 V, 10 A



Identification

Type	CPSB1-240-24E
Part No.	723600

Product version

Datasheet version	01
-------------------	----

Input

Number of phases	1
Rated voltage U_N	AC 120/240 V (manual)
Operation voltage range	AC 90–132 V / AC 187–264 V / DC 270–345 V
Frequency range	47 Hz – 63 Hz
Rated current I_N	4 A @ AC 120 V / 2 A @ AC 240 V
Inrush current	<40 A
Internal fuse	T6, 3 A/AC 250 V
External protection	Mini-circuit breaker: C 10 A / Safety fuse: T 10 A
Power factor correction P.F.C.	>0.6

Output

Output voltage/current	DC 24 V/10 A
Rated voltage U_N	DC 24 V
Rated current I_N	10 A
Max. output current	13.5 A, 30 s
Power Dissipation	<35 W
Setting range $U_{out\ min.}/U_{out\ max.}$	DC 23–27.5 V
Load regulation	<1 %

United Kingdom: LÜTZE Ltd.

Unit 3, Sandy Hill Park
Sandy Way, Amington • GB-Tamworth, Staffs B77 4DU
Tel. +44 (0)1827 31333-0 • Fax +44 (0)1827 31333-2
www.lutze.com • sales.gb@lutze.co.uk

Germany: Friedrich Lütze GmbH

Postfach 12 24 (PLZ 71366) • Bruckwiesenstraße 17-19 • D-71384 Weinstadt
Tel. +49 (0)7151 6053-0 • Fax +49 (0)7151 6053-277(-288)
www.luetze.de • info@luetze.de

22.09.2023 • Subject to technical modification

Part No. [723600](#) • Datasheet version: 01

page 1 of 4



SYSTEMATIC TECHNOLOGY

Technical data sheet

Power supply · Compact Economy, 240 W

Ripple and noise	<100 mV pp
Hold up time	>60 ms @ AC 120 V / >70 ms @ AC 240 V
Parallel / redundant mode	Yes/via external decoupling diode e.g. 722999
Efficiency	>87 %
Overtemperature protection	Yes
Over voltage protection	>DC 33 V ($U_A=24$ V)
Short circuit	Hiccup Mode

Status indication

Status indication DC ON LED green	≥ 21.6 V
Status indication DC LOW LED red	≤ 21.6 V

Monitoring

DC ON Control (Rdy)	N/O contact
Switching voltage	AC 300 V / DC 150 V
Switching current	AC/DC 1 A
Switching capacity	300 VA / 30 W
Isolation voltage	AC 500 V

General

Insulation voltage input / output	DC 4.2 kV
Insulation voltage input / ground	DC 2.2 kV
Insulation voltage output / ground	DC 750 V
Derating	>60 °C: -5 W/°C
Cooling	Air convection, 50 mm distance top/bottom, 20 mm side
Housing material	Aluminum
Mounting	DIN rail mountable TS35 (EN 60715)
Installation position	Vertical
Degree of protection	IP20 (IEC 529 / EN 60529)
Weight/unit	0.75 kg
Connection type	Screw terminal 0.20 mm ² – 2.5 mm ² plug-in
Dimensions (w × h × d)	63.0 mm × 140.0 mm × 139.0 mm
PU (units)	1

General ambient conditions

Operation temperature range	-40 °C ... +70 °C (UL approved up to +50 °C)
Storage temperature range	-40 °C ... +80 °C
Over voltage category	III
Degree of pollution	2

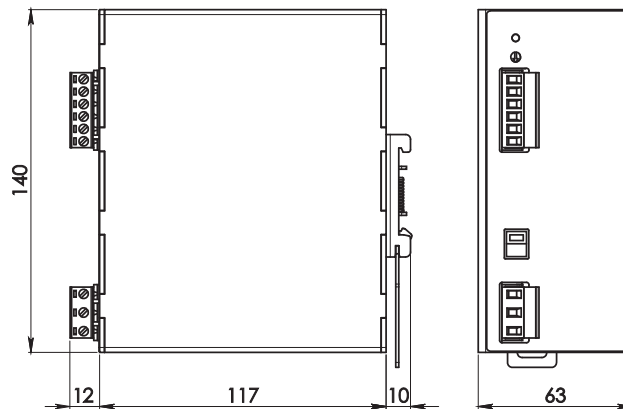
Technical data sheet

Power supply · Compact Economy, 240 W

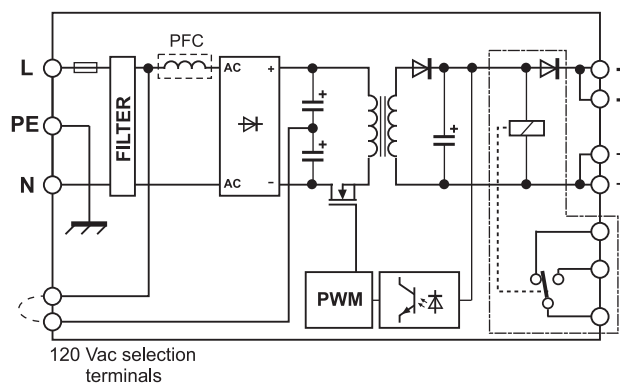
Certifications/Standards

Certifications	CE UKCA cULus (E249179)
Standards	UL 508 IEC/EN 61010-1 IEC/EN 61010-2-201 IEC/EN 60950 EN 55011 (CISPR11) Class A EN 55022 (CISPR22) Class A EN 61000-4-3 Level 3 EN 61000-4-2 Level 3 EN 61000-4-4 Level 3 EN 61000-4-5 Level 3 EN 61000-4-11 Level 2 IEC 60068-2-6 (Vibration sinusoidal), 5-17.8 Hz: ± 1.6 mm, 17.8-500 Hz: 2 g 2 hours / axis (X,Y,Z) IEC 60068-2-27 (Shock), 30 g 6 ms, 20 g 11 ms, 3 bumps / direction, 18 bumps total

Dimensions



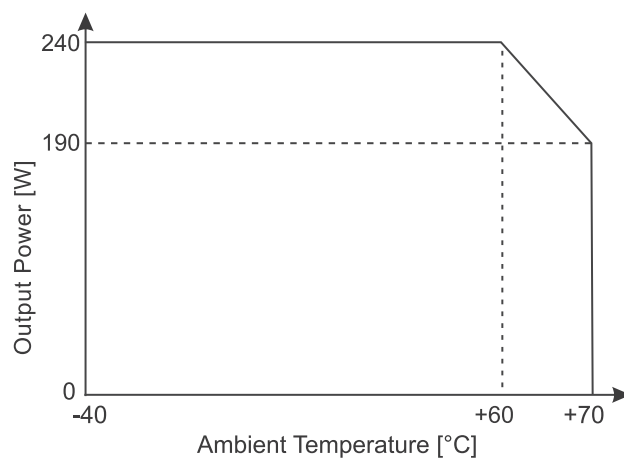
PIN assignment



Technical data sheet

Power supply · Compact Economy, 240 W

Derating



Short circuit characteristics

Hiccup

