

## Technical data sheet

Power supply · LCOS-PS controlled, 30 Watt

---

**Primary switchmode power supply, PFC, Single-phase**

**Input: Wide range input AC 100 V – 240 V**

**Output: 24 V, adjustable**



---

### Identification

Type LCOS-PS-1-30-24  
Part No. [779101.0213](#)

---

### Product version

Hardware revision 1.1  
Datasheet version 03

---

### Input

Number of phases 1  
Rated voltage  $U_N$  AC 100–240 V  
Rated frequency  $f_N$  50 Hz / 60 Hz  
Rated current  $I_N$  0.35 A @ AC 230 V  
Inrush current <10 A @ AC 230 V  
Internal fuse 2 A Typ-T AC 250 V  
External protection 6 A Typ-B (IEC 60947-2 / UL 1077)  
The external fuse must be installed close to the LCOS-PS and must be easily accessible for the user.  
Power factor correction P.F.C. 0.59

---

### Output

Output voltage/current DC 24 V/1.25 A  
Rated voltage  $U_N$  24 V (SELV)  
Rated current  $I_N$  1.25 A  
Max. output current 1.4 A  
Setting range  $U_{out\ min.}/U_{out\ max.}$  DC 23–27.5 V

---

#### United Kingdom: LÜTZE Ltd.

Unit 3, Sandy Hill Park  
Sandy Way, Amington • GB-Tamworth, Staffs B77 4DU  
Tel. +44 (0)1827 31333-0 • Fax +44 (0)1827 31333-2  
[www.lutze.com](http://www.lutze.com) • [sales.gb@lutze.co.uk](mailto:sales.gb@lutze.co.uk)

#### Germany: Friedrich Lütze GmbH

Postfach 12 24 (PLZ 71366) • Bruckwiesenstraße 17-19 • D-71384 Weinstadt  
Tel. +49 (0)7151 6053-0 • Fax +49 (0)7151 6053-277(-288)  
[www.luetze.de](http://www.luetze.de) • [info@luetze.de](mailto:info@luetze.de)

## Technical data sheet

### Power supply · LCOS-PS controlled, 30 Watt

---

Load regulation	<0.5 %
Line regulation	<0.5 %
Ripple and noise	≤100 mV pp
Hold up time	>20 ms
Parallel / redundant mode	Max. 2 devices
Efficiency	89 %
Protection device	Over voltage protection
Over voltage protection	<32 V
Short circuit	Hiccup

---

#### Status indication

---

Status display output	DC ON, green ≥21.6 V
-----------------------	----------------------

---

#### Monitoring

---

Monitoring	DC ON, open collector
Switching voltage	DC 30 V
Switching current	Max. 0.100 A

---

#### General

---

Insulation voltage input / output	AC 2.5 kV <sub>eff</sub>
Insulation voltage input / ground	AC 1.5 kV <sub>eff</sub>
Insulation voltage output / ground	DC 0.5 kV <sub>eff</sub>
Derating	>50 °C: -1 W/°C
Cooling	Air convection
Housing material	PA 6.6 (UL 94 V-0, NFF I2, F2)
Color of the housing	pebble grey
Mounting	DIN rail mountable TS35 (EN 60715)
Max. altitude operation	2000 m max.
Installation position	Vertical
MTBF	>500000 h: SN29500 / >150000 h: MIL HDBK 217F
Degree of protection	IP20 (EN 60529)
Weight/unit	0.18 kg
Connection type	Push-In 0.08 mm <sup>2</sup> – 2.5 mm <sup>2</sup> AWG 28 – AWG 12 input: 3-pin output: 8-pole
Dimensions (w × h × d)	22.5 mm × 100.0 mm × 110.0 mm
PU (units)	1

---

#### General ambient conditions

---

Operation temperature range	-25 °C ... +70 °C (for UL applications: ambient temperature max. +55 °C)
Storage temperature range	-25 °C ... +85 °C
Over voltage category	II (IEC 664-1)

---

# Technical data sheet

## Power supply · LCOS-PS controlled, 30 Watt

Degree of pollution	2
Relative air humidity	10 % – 95 %, without condensation

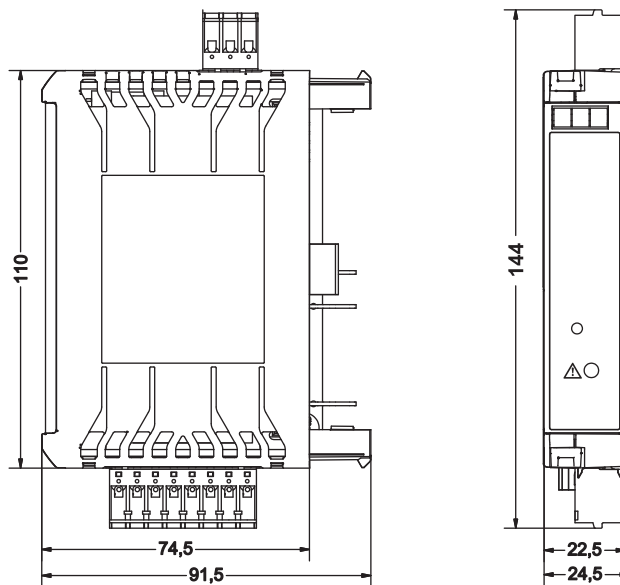
### Certifications/Standards

Conformity	CE UKCA
Certifications	cULus (E249179)
Standards	EN 61000-6-2 EN 61000-6-4 EN 61204-3 EN 61000-3-2 EN 61000-3-3 IEC/EN 61010-1 IEC/EN 61010-2-201 UL 61010-1 UL 61010-2-201

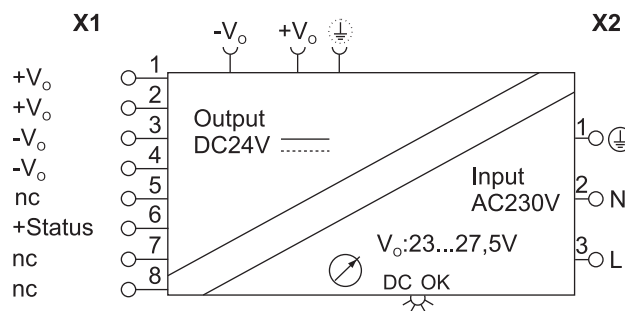
### Notes and Comments

Included in the delivery	Plug-in terminals : CS 5.08 and CS 3.50
Not included in the delivery	Function carrier and other accessories

### Dimensions



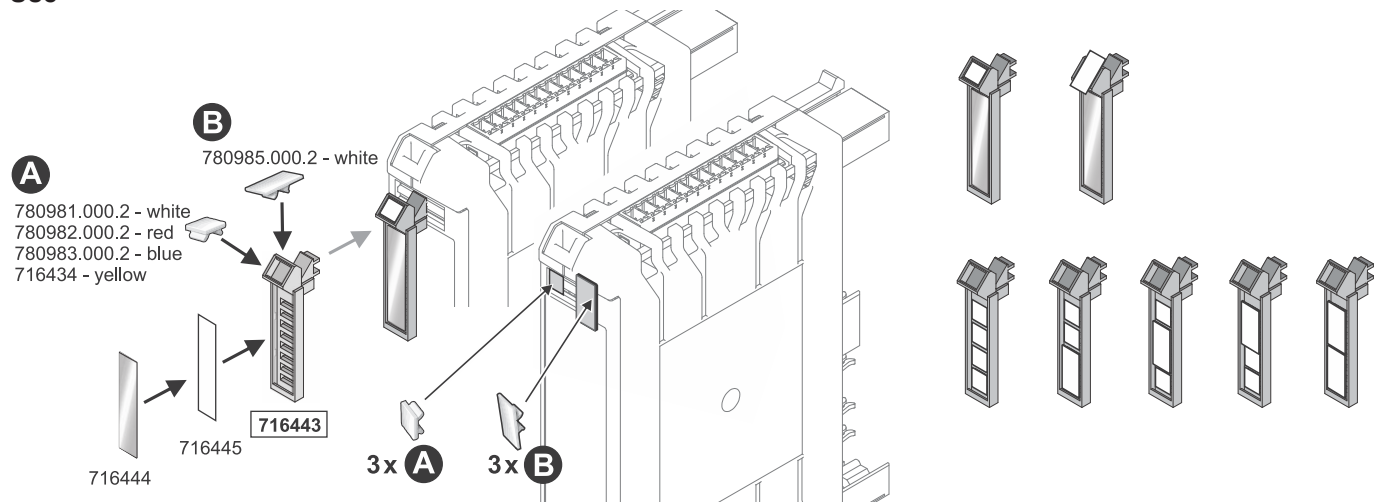
### PIN assignment



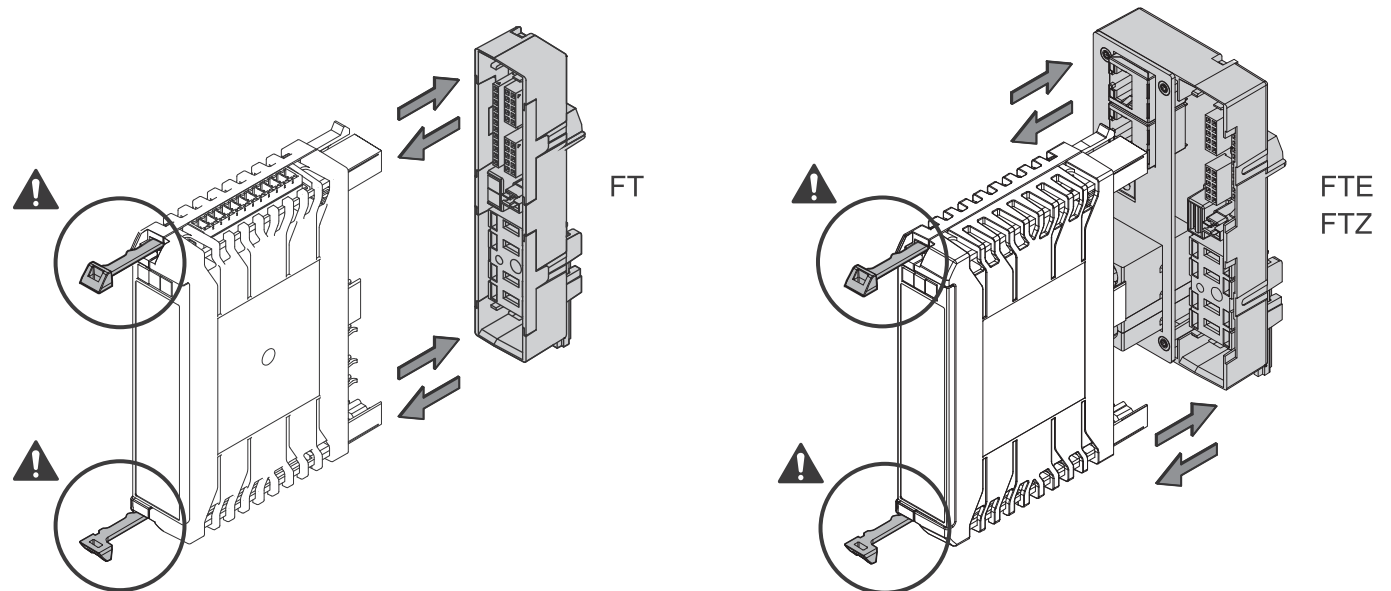
# Technical data sheet

Power supply · LCOS-PS controlled, 30 Watt

## Use



## Use



# Technical data sheet

Power supply · LCOS-PS controlled, 30 Watt

## Use

**DE** Systemaufbau   **EN** System Structure   **FR** Structure du système

